



Your Direct Source for Quality Hardware and Components



For over 25 years, MDI has been a leading supplier of quality products to the furniture, healthcare, display, beauty supply & technology industries. Our goal at MDI is to be your "Direct Source" for quality components. We manufacture and stock many standard parts including: Casters, Glides, Knobs, Tube Connectors/Adapters and Furniture Components.



Burbank, CA Headquarters

 <p>Casters- Furniture, Institutional, Specialty</p>	 <p>Leveling Glides- Light, Heavy Duty</p>	 <p>Adjustment Knobs</p>
 <p>Tube and Metal Threaded Connectors</p>	 <p>Plastic Components and Tube Closures</p>	 <p>5 Leg Plastic, Aluminum, Steel Bases</p>
 <p>Round Metal Chair Bases</p>	 <p>Cold Headed Components</p>	 <p>Metal Display Components</p>



Your Direct Source for Quality Hardware and Components



Twin Wheel Casters

One of the largest selections of twin wheel casters available at the most economical prices.

From 35mm 125mm, MDI carries both furniture & institutional casters.



SOFT TREAD WHEELS

Most MDI twin wheel casters are available with "soft wheels". These casters feature a polyurethane wheel tread molded around a hard nylon core. The soft tread provides superb performance on hard floor surfaces.



WHEEL BRAKES

Nearly all MDI casters are available with brake locks. Brakes are engaged or released with a simple lever on the front of the caster body.

COMMON MOUNTING OPTIONS (Furniture Caster)



TOP PLATE
For attachment to flat base furniture and equipment



FRICION RING STEM
For use in cast holes and most chair bases. Also used with sockets and mounting brackets. Standard compression ring is heat treated wire. Wide bands or "D" rings are also available.



THREADED STEM
For direct attachment with a nut. Should not be used for leveling.



U-BRACKET
For attachment to vertical panels.



SOCKET STEM
Most popular for wood applications. Also called "gripneck" stems. Often use with metal gripneck or plastic caster sockets.



Your Direct Source for Quality
Hardware and Components



Leveling Glides

MDI carries variety of leveling glides in stock. We normally ship these stock items within 2 business days.

MDI can provide custom glides, often with little or no tooling cost. We can also tailor a stocking program to suit your JIT requirements.



WASHER ON
BASE



HEX ON BASE



SLOT ON TOP



HEX ON TOP





Your Direct Source for Quality Hardware and Components



Adjustment Knobs

MDI carries variety of Adjustment Knobs in stock. We normally ship these stock items within 2 business days.

MDI can provide custom knobs, often with little or no tooling cost. We can also tailor a stocking program to suit your JIT requirements.

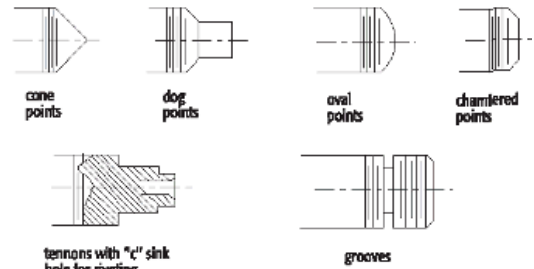


KNOB INSERTS



BLIND HOLE OR THRU-HOLE Knobs with internal threads can be molded with either a blind hole closed top or thru-hole so that attaching fastener can pass through the top of the knob.

STUD OPTIONS



SOFT TOUCH KNOBS are produced with a core material of fiberglass-reinforced nylon for strength. A thermoplastic rubber material is molded over the knob surface to provide a soft and secure grip.

CUSTOM KNOBS MDI's unique tooling and production methods allow us to provide custom designs very inexpensively. Company logos and other embossed designs can be molded into our standard knobs for little or no additional cost. MDI can also provide design and engineering assistance when required.

STUDS AND INSERTS are molded into our knobs for optimum strength, and can be provided in brass, stainless, or most grades of steel with zinc, black oxide, and other plated finishes available. Metric thread sizes are also offered. Our extensive metal processing capabilities include, cold heading, screw machining and casting. MDI's complete secondary and finishing facilities allow us to produce custom studs and inserts with low minimums and short lead times.

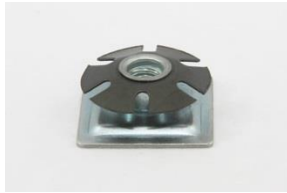


Your Direct Source for Quality Hardware and Components



Metal Threaded Adapter For Tubing

Heat treated clips retain these metal threaded connector inserts securely inside tubular legs. Round (R) and square (S) adapters are available for the following tubing O.D. sizes. Most fit 16 Ga. and 18 Ga. tubes. Special Sizes are available.



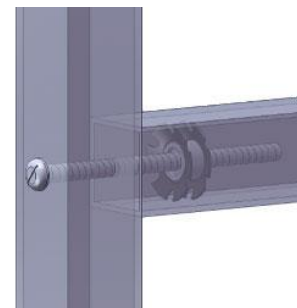
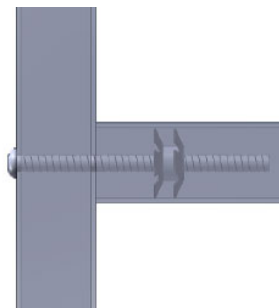
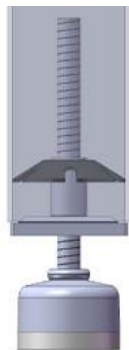
Tube Connectors

Heavy-duty connectors are used for connecting tubing without welding. Heat-treated clips hold securely. Connectors are available for the following tubing O.D. Size. Most fit 16 GA tubes. We offer a wide range of Tube Connector products.



TUBE SIZE	THREAD	TUBE SIZE	THREAD
3/4 R/S	1/4-20	1-1/4 R/S	5/16/2018
3/4 R/S	5/16/2018	1-1/4 R/S	3/8/2016
7/8 R/S	1/4-20	1-1/2 R/S	1/4-20
7/8 R/S	5/16/2018	1-1/2 R/S	5/16/2018
7/8 R/S	3/8/2016	1-1/2 R/S	3/8/2016
1 R/S	1/4-20	2 R/S	1/2-20
1 R/S	5/16/2018	2 R/S	5/16/2018

TUBE SIZE	THREAD	TUBE SIZE	THREAD
3/4"	1/4-20	1-1/4"	1/4-20
3/4"	5/16/2018	1-1/4"	5/16/2018
7/8"	1/4-20	1-1/4"	3/8/2016
7/8"	5/16/2018	1-3/8"	1/4-20
7/8"	3/8/2016	1-3/8"	5/16/2018
1"	1/4-20	1-1/2"	1/4-20
1"	3/8/2016	1-1/2"	5/16/2018
1"	5/16/2018	1-1/2"	3/8/2016
		2"	1/4-20
		2"	5/16/2018





Your Direct Source for Quality
Hardware and Components



Plastic Components and Tube Closures



Plastic Tube Closures

MDI manufactures three styles of plastic tube closures available in several sizes, materials and colors. If you do not see the closure below for your application, please contact us and we will be happy to provide a custom part for you.



MULTI-GAUGE CLOSURE ALL SIZES FIT 16-18 GA. TUBES.
AVAILABLE FOR 1" OD & 1-1/4" OD TUBES
AVAILABLE IN BUTYRATE, WHITE, BLACK & TAN. 2,000/CARTON
CUSTOM COLORS & MATERIALS 10,000PC MIMIMUM.



ROCKER GLIDES SIZE: 1"-16 GA. & 1"-18 GA.
MATERIAL: BUTYRATE
COLOR: BLACK, WHITE, FORREST GREEN
2,000/CARTON
CUSTOM COLORS & MATERIALS 10,000PC MIMIMUM.



STANDARD GLIDES SIZES: ROUND 1-1/4x14GA., 1-1/4x18GA., 1-1/4x19GA., 1-1/2x16GA., 1-1/2x18GA., 1-3/4x19GA., 2"x18GA., 2-1/4x 14GA.
SQUARE 3/4x18GA.
RECTANGULAR 1/2x1-1/4x16GA., 3/4x1-1/2x18GA.
OVAL 5/8x1-1/4x16-18GA.
MATERIAL: BUTERATE, POLYPROPYLENE, ABS.
COLORS: INQUIRE



Your Direct Source for Quality
Hardware and Components



Bases



5 Leg Bases are available in plastic, steel & aluminum. Base diameters range from 21½" to 26". Designed to accept a standard 50mm diameter gas cylinder, reducers are available so that vertical poles can be inserted for display medical equipment and other non seating applications.

Metal Trumpet style bases are ideal for display and fixture stands, table bases, hospitality furniture and work stools.

Metal Trumpet Bases are available in 3 sizes:

580mm (23")

450mm (18")

400mm (16½")

All bases have a 2" center hole. Standard finishes are chrome, black, and unfinished for custom finishes.

MDI reducer bushing will fit the 2" center hole and allow you to mount a 1" or 1½" post.





Your Direct Source for Quality
Hardware and Components



STANDS & RACKS, TUBULAR COLUMNS, & CAST BASES

With over twenty years of experience MDI is your direct source for custom metal products fabricated offshore and delivered to your door. We combine over a dozen manufacturing disciplines to supply you the highest quality components at the most economical prices. Simply submit a drawing, samples or specifications and we will be happy to provide prices delivered to your door.



STANDS & RACKS

MDI offers wire and tubing fabrication with superb powder coated and plated finishes. Complete stands and racks can be made to your specifications and shipped directly to you. Products can ship bulk or unassembled and individually packaged including accessories such as casters, glides, hooks and printed material.



TUBULAR COLUMNS

For table legs, stands, racks, pedestals and stools. We can provide columns with tapers for standard bases and gas cylinders, mounting brackets or fabricated to your specifications. Secondary operations include bending, punching slotting, swaging, powder coating, painting and plating.



CAST BASES

Cast iron and aluminum bases are available in a variety of shapes, sizes and finishes. Our Asian facilities can injection mold or gravity cast to suit your requirements including trimming, polishing, and finishing.



Your Direct Source for Quality
Hardware and Components

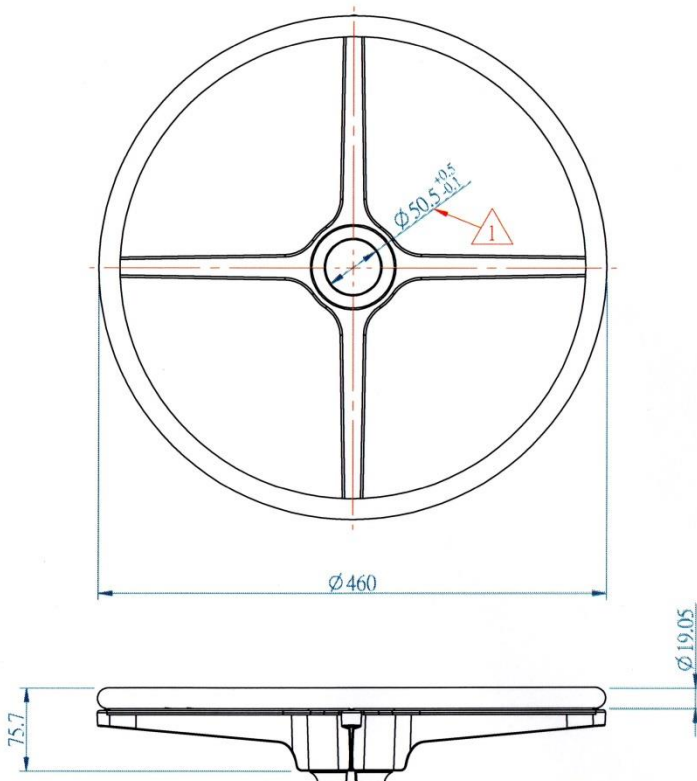


Quick Release Foot Ring



The latest addition to our foot ring collection is MDI's new, "Quick Release Foot Ring".

Its new design incorporates a unique mechanism that allows the foot ring height to be adjusted in both directions; locking into place without the need to loosen and retighten any adjustment knob.



Specification

- 18" Foot Ring with Release Buttons for Hassle Free Adjustment.
- Inner Cross tube made of aluminum
- BIFMA passed